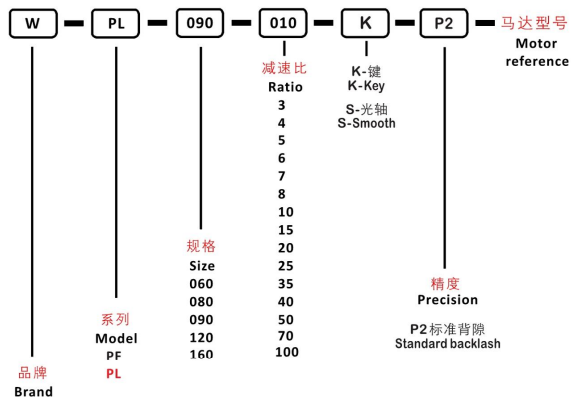




INDICATION FOR MODEL

SELECTION

● 机种型号表示



GENERAL NOTICES

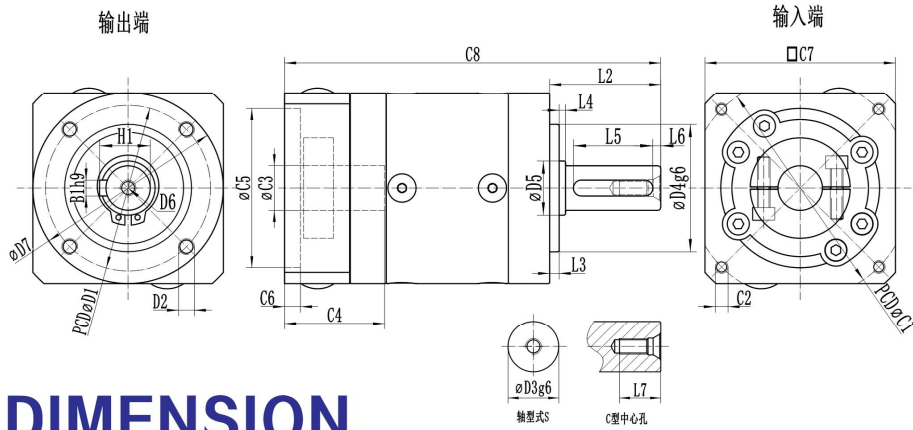
● 订货须知

- 机种、型号、扭矩
- 减速比或出力轴转速
- 工况及连接方式
- 数量及安装的机械名称
- 入力方式和入力转速
- 马达厂牌型号或法兰及马达轴尺寸
- Type, model and torque
- Ratio or output speed
- Working conditions and connection methods
- Quantity and installed machine name
- Input mode and input speed
- Motor brand model or flange and motor shaft size

PLANETARY GEARBOX

● 减速机性能资料 /Performance

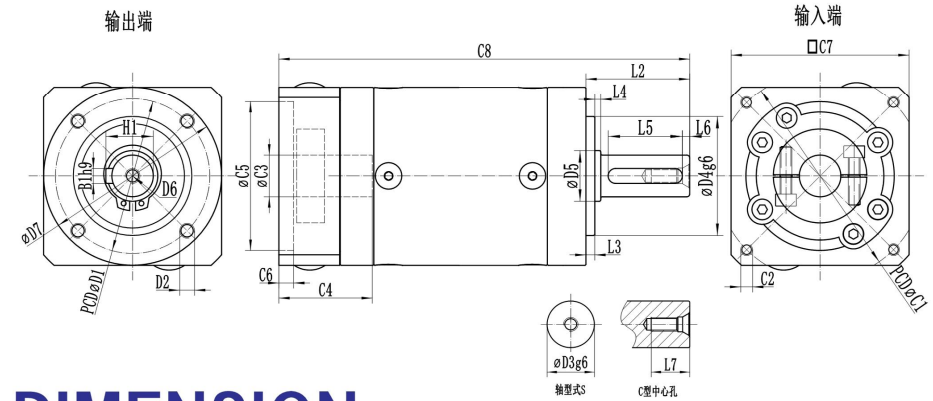
规格 Specification	单位 Unit	节数 Stage	减速比 Ratio	WPL060	WPL080	WPL090	WPL120	WPL160
额定输出扭矩 Rated output torque T _{2N}	Nm	1	3	18	40	50	125	290
			4	36	90	110	230	460
			5	40	110	125	260	550
			6	20	40	50	90	340
			7	20	40	50	90	340
			8	12	22	32	70	210
		2	10	12	22	32	70	210
			12	36	90	110	230	460
			15	40	110	125	260	550
			16	36	90	110	230	460
			20	40	110	125	260	550
			25	40	110	125	260	550
			28	36	90	110	230	460
			30	18	40	50	125	290
			35	40	110	125	260	550
			40	36	90	110	230	460
50	40	110	125	260	550			
60	20	40	50	90	340			
70	20	40	50	90	340			
80	12	22	32	70	210			
100	12	22	32	70	210			
装置马达轴孔径 /Motor shaft size	mm	1,2	3-100	6-14	14-19	14-19	16-24	19-35
最大输出扭矩 /Maximum output torque	Nm	1,2	3-100	二倍额定输出扭矩 /Double rated output torque				
额定输入转速 /Rated input speed n _{1N}	rpm	1,2	3-100	4000	3500	3500	3500	2500
背隙 /Backlash	arcmin	1	3-10	≤10	≤10	≤10	≤10	≤10
		2	12-100	≤12	≤12	≤12	≤12	≤12
扭转刚性 /Torsional rigidity	Nm/arcmin	1,2	3-100	1.8	4.7	4.85	11	55
容许径向力 /Allowable radial force F _{2aB}	N	1,2	3-100	220	400	430	1000	4500
容许轴向力 /Allowable axial force F _{2aB}	N	1,2	3-100	240	420	450	1240	4800
使用寿命 /Lifespan	hr	1,2	3-100	10000				
效率 /Efficiency	%	1	3-10	≥96				
		2	12-100	≥93				
重量 /Weight	kg	1	3-10	1.1	2.3	4.4	6.4	26.5
2	12-100	1.4	2.9	5	8	29.6		
使用温度 /Working temperature	°C	1,2	3-100	-10°C~80°C				
防护等级 /IP Grade		1,2	3-100	IP54				
润滑 /Lubricating				合成润滑油 /Synthetic lubricating grease				
安装方向 /Installation direction		1,2	3-100	任意方向 /In any direction				
噪音值 (n ₁ =3000rpm, 无负载) Noise level (n ₁ =3000rpm, off load)	dB(A)	1,2	3-100	≤61	≤63	≤63	≤68	≤75



DIMENSION SINGLE SECTION

- 尺寸 (单节, 减速比 $i=3\sim 10$)
Dimension(single stage, Ratio $i=3\sim 10$)

尺寸/Dimension	WPL060-L1	WPL080-L1	WPL090-L1	WPL120-L1	WPL160-L1
*D1	52	70	80	100	145
*D2	M5	M6	M6	M10	M12
*D3	14	20	22	25	40
*D4	40	60	68	80	130
D5	17	25	30	35	55
D6	M5	M6	M6	M10	M12
D7	60	80	90	115	162
L1	-	-	-	-	-
*L2	35	40	46	55	87
*L3	3	3	5	4	5
L4	30	36	36	50	80
*L5	25	25	32	40	70
L6	2.5	5	2	5	5
L7	12.5	18	18	23	25
L8	-	-	-	-	-
*C1	70	90	90	145	200
*C2	M4	M5	M5	M8	M12
*C3	6-14	14-19	14-19	19-24	24-35
*C4	31.5	41	41	60	83
*C5	50	70	70	110	114.3
*C6	5	6	5	14	10
C7	60	80	80	130	180
C8	118.5	146.5	166	204.5	268.5
*B1	5	6	6	8	12
*H1	16	22.5	24.5	28	43



DIMENSION DOUBLE SECTION

- 尺寸 (双节, 减速比 $i=15\sim 100$)
Dimension(double stage, Ratio $i=15\sim 100$)

尺寸/Dimension	WPL060-L2	WPL080-L2	WPL090-L2	WPL120-L2	WPL160-L2
*D1	52	70	80	100	145
*D2	M5	M6	M6	M10	M12
*D3	14	20	22	25	40
*D4	40	60	68	80	130
D5	17	25	30	35	55
D6	M5	M6	M6	M10	M12
D7	60	80	90	115	162
L1	-	-	-	-	-
*L2	35	40	46	55	87
*L3	3	3	5	4	5
L4	30	36	36	50	80
*L5	25	25	32	40	70
L6	2.5	5	2	5	5
L7	12.5	18	18	23	25
L8	-	-	-	-	-
*C1	70	90	90	145	200
*C2	M4	M5	M5	M8	M12
*C3	6-14	14-19	14-19	19-24	24-35
*C4	31.5	41	41	60	83
*C5	50	70	70	110	114.3
*C6	5	6	5	14	10
C7	60	80	80	130	180
C8	136.2	169.6	190.5	237	313.5
*B1	5	6	6	8	12
*H1	16	22.5	24.5	28	43