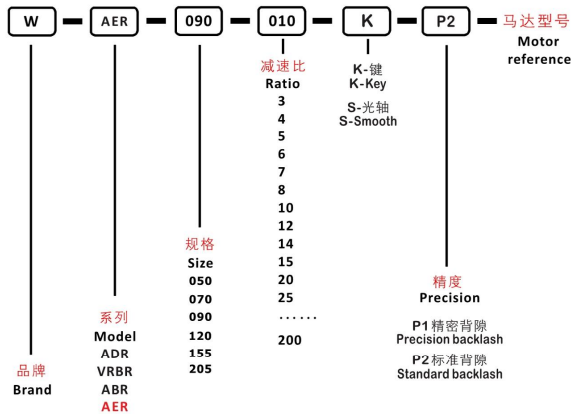


290

INDICATION FOR MODEL SELECTION

● 机种型号表示



GENERAL NOTICES

● 订货须知

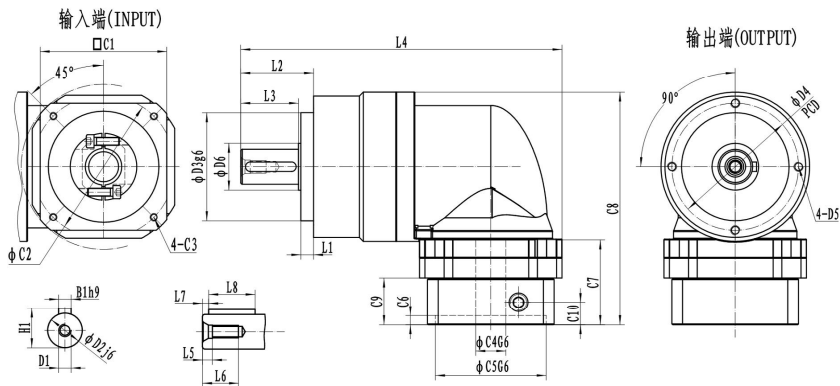
- 机种、型号、扭矩
- 减速比或出力轴转速
- 工况及连接方式
- 数量及安装的机械名称
- 入力方式和入力转速
- 马达厂牌型号或法兰及马达轴尺寸
- Type, model and torque
- Ratio or output speed
- Working conditions and connection methods
- Quantity and installed machine name
- Input mode and input speed
- Motor brand model or flange and motor shaft size

● 减速机性能资料/Performance

规格 Specification	单位 Unit	节数 Stage	减速比 Ratio	WAER050	WAER070	WAER090	WAER120	WAER155	WAER205	
额定输出扭矩 Rated output torque T_{2N}	Nm	1	3	-	36	90	195	342	588	
			4	-	48	120	260	520	1040	
			5	-	60	150	325	650	1200	
			6	-	55	150	310	600	1100	
			7	-	50	140	300	550	1100	
			8	-	50	140	290	542	1050	
			10	-	60	160	330	650	1200	
			12	-	55	150	310	600	1100	
			14	-	50	140	300	550	1100	
			20	-	40	100	230	450	900	
		2	15	-	55	130	208	342	588	
			25	-	60	150	325	650	1200	
			30	-	55	150	310	600	1100	
			35	-	50	140	300	550	1100	
			40	-	50	140	290	542	1050	
			50	-	60	160	330	650	1200	
			60	-	55	150	310	600	1100	
			70	-	50	140	300	550	1100	
			80	-	50	140	290	542	1050	
			100	-	60	160	330	650	1200	
3	120	-	55	150	310	600	1100			
	140	-	50	140	300	550	1100			
	160	-	45	120	260	500	1000			
	200	-	40	100	230	450	900			
	1,2	3~200	三倍额定输出扭矩 / Triple rated output torque							
	额定输入转速 / Rated input speed Ω_{IN}	rpm	1,2	3~200	5000	5000	4000	4000	3000	3000
	最大输入转速 / Maximum input speed Ω_{IB}	rpm	1,2	3~200	10000	10000	8000	8000	6000	6000
	精密背隙 / Precision backlash P^*	arcmin	1	3~20	-	≤ 8	≤ 8	≤ 8	≤ 8	≤ 8
			2	15~200	-	≤ 10	≤ 10	≤ 10	≤ 10	≤ 10
	标准背隙 / Standard backlash P^*	arcmin	1	3~20	-	≤ 10	≤ 10	≤ 10	≤ 10	≤ 10
2			15~200	-	≤ 13	≤ 13	≤ 13	≤ 13	≤ 13	
扭转刚性 / Torsional rigidity	Nm/arcmin	1,2	3~200	-	7	14	25	50	145	
容许径向力 / Allowable radial force F_{2R}	N	1,2	3~200	780	1530	3250	6700	9400	14500	
容许轴向力 / Allowable axial force F_{2A}	N	1,2	3~200	390	765	1625	3350	4700	7250	
使用寿命 / Lifespan	hr	1,2	3~200	20000 *						
效率 / Efficiency	%	1	3~20	95%						
		2	25~200	92%						
重量 / Weight	kg	1	3~20	-	2.1	6.4	13	24.5	51	
		2	25~200	-	1.5	7.8	14.2	27.5	54	
使用温度 / Working temperature	°C	1,2	3~200	(-10° C +90° C)						
		合成润滑脂 / Synthetic lubricating grease								
防护等级 / IP Grade		1,2	3~200	IP65						
安装方向 / Installation direction	任意方向 / In any direction	1,2	3~200	任意方向 / In any direction						
		1,2	3~200	-	≤ 63	≤ 65	≤ 68	≤ 70	≤ 72	

● 减速机转动惯量 / Rotational inertia

规格 Specification	单位 Unit	节数 Stage	减速比 Ratio	WAER050	WAER070	WAER090	WAER120	WAER155	WAER205
转动惯量 J1 Rotational inertia J1	kg.cm ²	1	3~10	0.09	0.35	2.25	6.84	23.4	68.9
			12、14	0.035	0.07	1.87	6.25	21.8	65.6
			20	0.03	0.07	1.87	6.25	21.8	65.6
		2	15	0.09	0.35	2.25	6.84	23.4	68.9
			25~100	0.09	0.09	0.35	2.25	6.84	23.4
			120~200	0.007	0.01	0.31	1.87	6.25	21.8

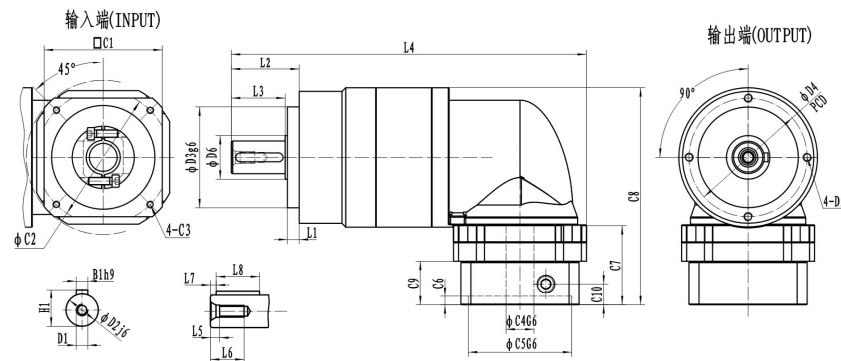


DIMENSION

SINGLE SECTION

- 尺寸 (单节, 减速比 $i=3\sim 20$)
Dimension(single stage, Ratio $i=3\sim 200$)

尺寸/Dimension	WAER050	WAER070	WAER090	WAER120	WAER155	WAER205
D1	-	M5	M8	M12	M16	-
D2 _{φ6}	-	16	22	32	40	-
D3 _{φ6}	-	52	68	90	120	-
D4	-	62	80	108	140	-
D5	-	M5	M6	M8	M10	-
D6	-	17.5	29.5	39.5	49.5	-
L1	-	6.5	8	17	15	-
L2	-	36	46	70	97	-
L3	-	28.5	36.5	51	79	-
L4	-	149.5	203	266.5	359	-
L5	-	4	6	10	16	-
L6	-	13	20	28	36	-
L7	-	3	3	5	5	-
L8	-	25.3	32	40	63	-
C1	-	60	80	130	180	-
C2	-	70	90	145	200	-
C3	-	M4	M5	M8	M12	-
C4 _{φ6}	-	14	19	24	35	-
C5 _{φ6}	-	50	70	110	114.3	-
C6	-	3.5	6	14	19	-
C7	-	35	54	81	81	-
C8	-	105	147	194.5	253	-
C9	-	24.2	29.5	45	57	-
C10	-	9.5	14.5	27	32	-
B1	-	5	6	10	12	-
H1	-	18	24.5	35	43	-



DIMENSION

DOUBLE SECTION

- 尺寸 (双节, 减速比 $i=15\sim 200$)
Dimension(double stage, Ratio $i=15\sim 200$)

尺寸/Dimension	WAER050	WAER070	WAER090	WAER120	WAER155	WAER205
D1	-	M5	M8	M12	M16	-
D2	-	16	22	32	40	-
D3	-	52	68	90	120	-
D4	-	62	80	108	140	-
D5	-	M5	M6	M8	M10	-
D6	-	17.5	29.5	39.5	49.5	-
L1	-	6.5	8	17	15	-
L2	-	36	46	70	97	-
L3	-	28.5	36.5	51	79	-
L4	-	181.5	240.5	290	431	-
L5	-	4	6	10	16	-
L6	-	13	20	18	36	-
L7	-	3	3	5	5	-
L8	-	25.3	32	40	63	-
C1	-	60	80	130	180	-
C2	-	70	90	145	200	-
C3	-	M4	M5	M8	M12	-
C4 _{φ6}	-	14	19	24	35	-
C5 _{φ6}	-	50	70	110	114.3	-
C6	-	3.5	6	11.5	19	-
C7	-	35	54	67	81	-
C8	-	105	147	178	253	-
C9	-	24.2	29.5	42.5	57	-
C10	-	9.5	14.5	27	32	-
B1	-	5	6	10	12	-
H1	-	18	24.5	35	43	-